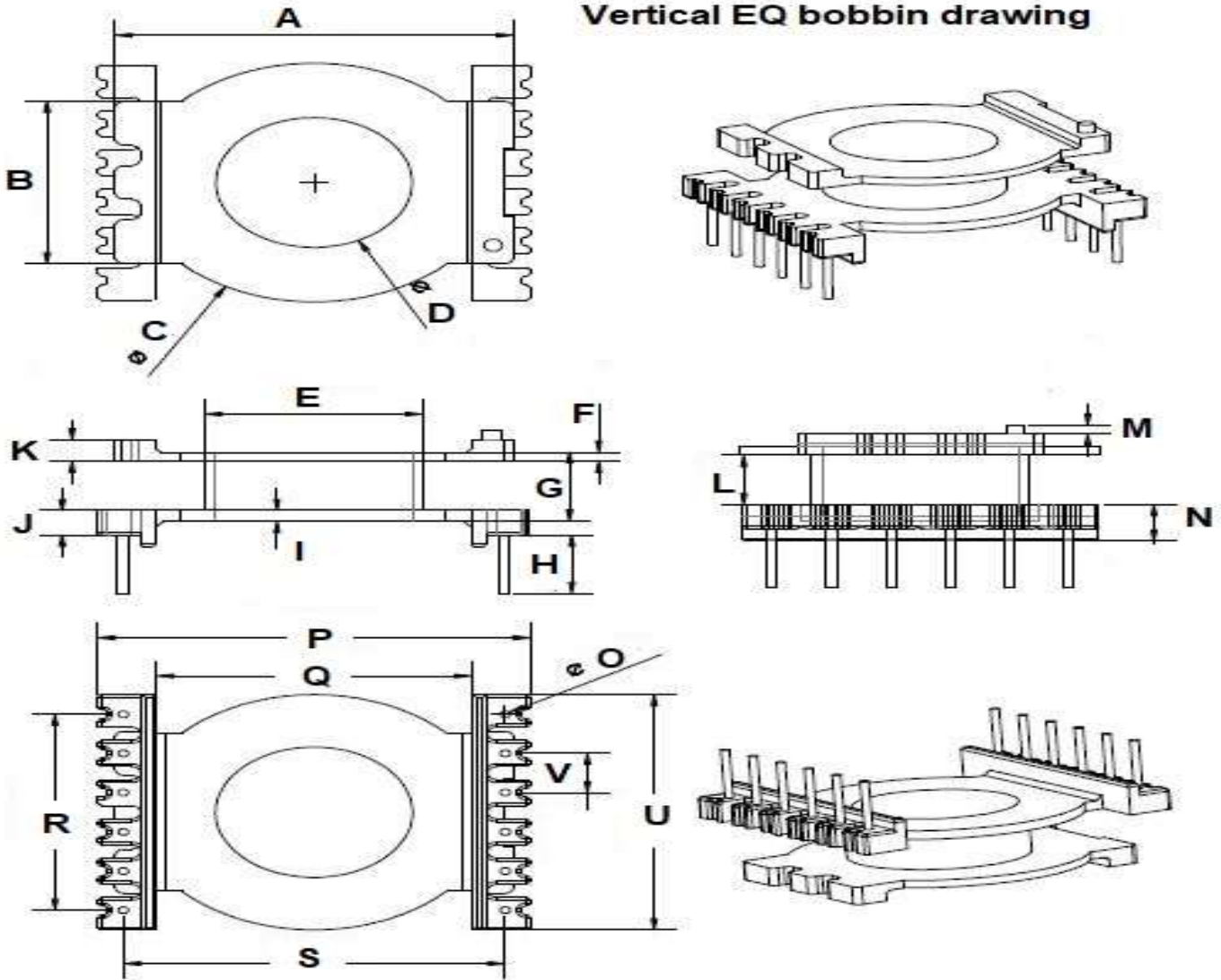


Vertical EQ bobbin drawing



Product Specifications:

Geometry	Pin	A	B	C	D	E	F	G	H	I	J	K	L	M	N	O	P	Q	R	S	U	V
EQ25/15V	5+5	22.00	14.40	20.90	11.60	12.80	0.80	9.70	6.50	1.20	2.60	2.60	7.70	1.70	4.50	0.80	26.70	18.80	20.00	22.70	25.20	5.00

Geometry: EQ25/15 (V) 5+5 P	Material: Phenolic	Scale:	Angle: $\pm 1^\circ \blacktriangle$
	Pin Material: CP Wire	Unit: mm	Document Rev: 0
	Pin Pitch Tolerance: $\pm 0.20\text{mm}$	UL REQ: UL 94V-0	
	Dimensions Tolerances: 0~4mm: $\pm 0.1\text{mm}$, 4~16mm: $\pm 0.2\text{mm}$, 16~63mm: $\pm 0.3\text{mm}$		